

4

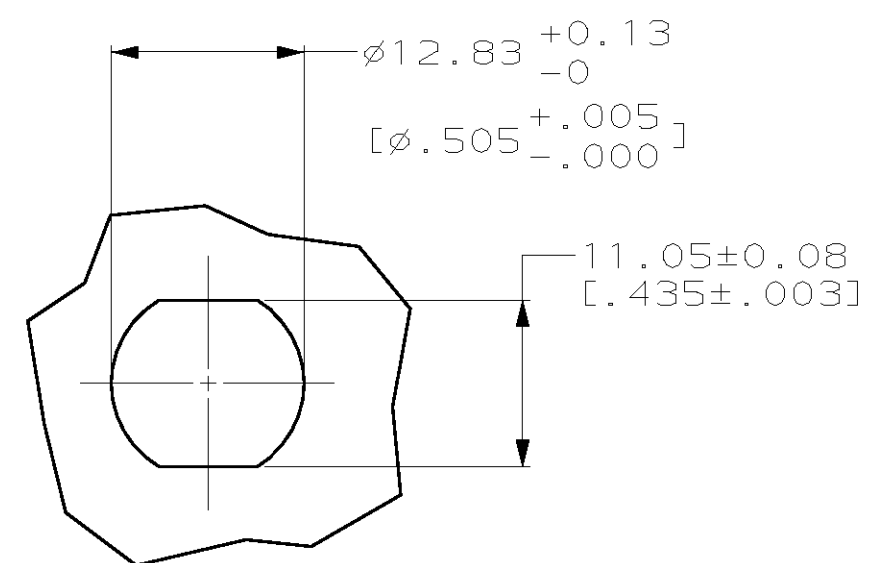
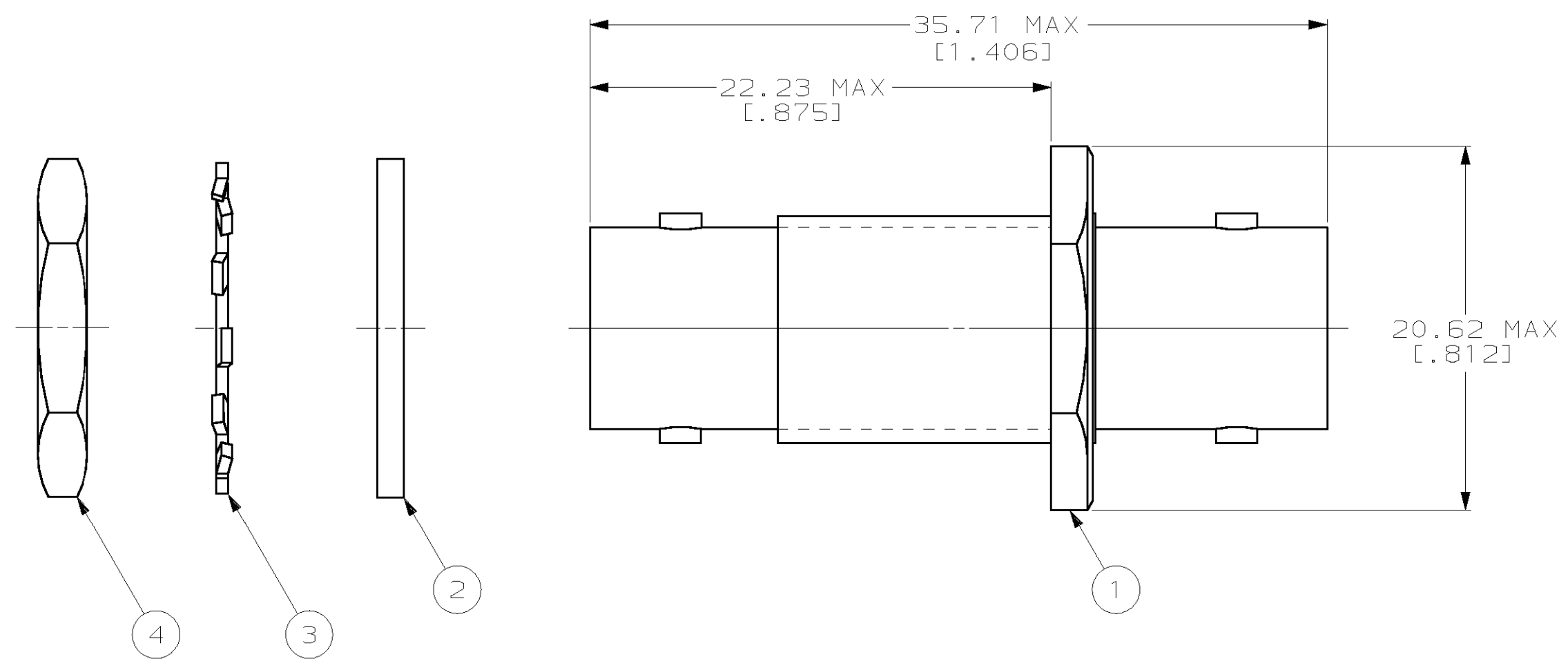
3

2

1

THIS DRAWING IS UNPUBLISHED. RELEASED FOR PUBLICATION ,19 .
 © COPYRIGHT 19 BY AMP INCORPORATED. ALL RIGHTS RESERVED.

| LOC | DIST | REVISIONS | | | | |
|-----|------|-------------|----------------------|---------|------|----|
| P | LTR | DESCRIPTION | DATE | DWN | APVD | |
| AJ | 16 | C | REV PER 0U20-0200-01 | 04APR01 | MO | JL |



MAXIMUM PANEL THICKNESS: 3.18 [.125]

SUGGESTED PANEL CUT-OUT
SCALE 2:1

| | | | | |
|---------|------------|---------|--------------|-------------|
| 329631 | 329632 | 329633 | 332213 | 332215 |
| JAM NUT | LOCKWASHER | GASKET | ADAPTOR ASSY | PART NUMBER |
| ④ QTY=1 | ③ QTY=1 | ② QTY=1 | ① QTY=1 | |

THIS DRAWING IS A CONTROLLED DOCUMENT.

| | | | |
|----------------------------|---|-------------------------------|---|
| DIMENSIONS: mm [INCHES] | TOLERANCES UNLESS OTHERWISE SPECIFIED: | DWN M. OBRINE 06JUL99 | AMP Incorporated Harrisburg, PA 17105-3608 |
| | 0 PLC ±- 1 PLC ±- 2 PLC ±- 3 PLC ±- 4 PLC ±- ANGLES ±- | CHK J. HAVENER 06JUL99 | |
| | | APVD J. HAVENER 06JUL99 | |
| | | PRODUCT SPEC | |
| MATERIAL | FINISH | APPLICATION SPEC | NAME ADAPTER, SERIES TWIN BNC, FEED-THRU JACK |
| | | WEIGHT | SIZE A3 |
| | | CUSTOMER DRAWING | CAGE CODE 00779 |
| | | | DRAWING NO C-332215 |
| | | | SCALE 4:1 |
| | | | SHEET 1 OF 1 |
| | | | REV C |